

Main Specifications

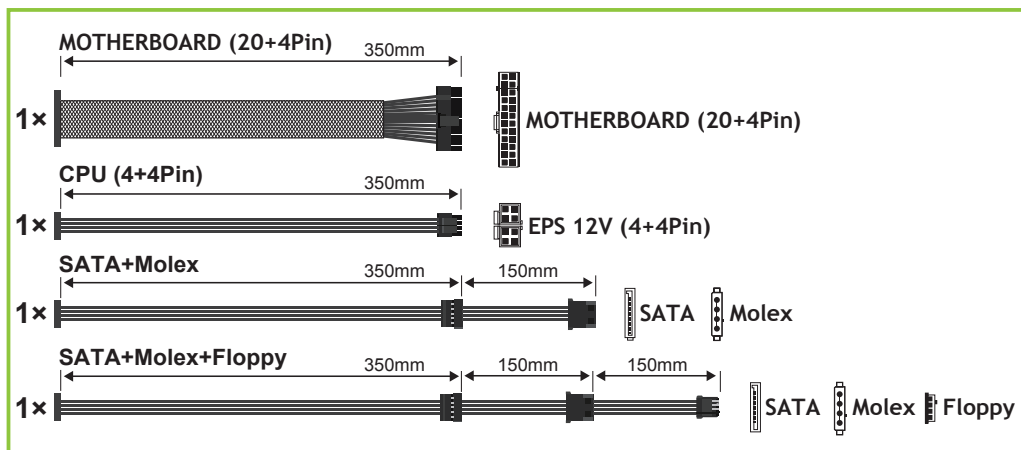
- Inner Power Supply for Computer
- Input voltage 230 Vac 50Hz
- Compatible with ATX 12V v.2.01
- 12 cm Silent Cooling Fan
- Main switch
- Overvoltage protection
- Overload protection
- Short-circuit protection
- High MTBF
- High reliability
- High efficiency
- Fan speed temperature control
- Cable length 35 cm
- Black Colour
- Dim: 14x8.5x15 cm (WxHxD)

Specification

PSU Model	Free Silent 550W
Code	FAL550FS12
Packaging	Single box
Nominal power	550 W
Input current	5A max to 230 Vac
Input nominal voltage	230 Vac
Input voltage range	180-264 Vac
Input nominal frequency	50/60 Hz
Input frequency range	47-63 Hz
Efficiency	86% max
Main switch	Yes
Fan type	Silent 12 cm
Fan color	Black
Fan speed control	Yes
Dimensions DxHxW	140X85X150 mm
Weight	1 Kg
Connectors	
Molex	2
Sata	2
12V CPU 4+4 Poli	1
Floppy	1
20/24 Poli	1
Output current	
+3.3V	23A
+5V	24A
+12V	30A
-12V	0,8A
+5Vsb	2,5A
Environmental specification	
Storage temperature	From -15 to 40 °C
Working temperature	From 0 to 40 °C
Humidity	< 95% without condensation
Maximum altitude	3000 m
Certifications	CE (Safety directive 2014/35/UE; EMC 2014/30/UE)

© 2020 Tecnoware Power Systems. The technical data may change without prior notice.

Connectors



Packaging

