



ATA 1.200VA



ATA 3.500VA - ATA 5.500VA



### Main Specifications

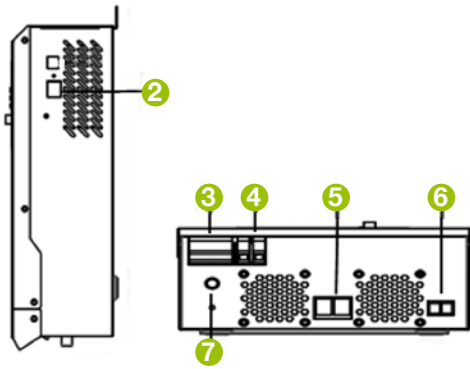
- Pure sinewave MPPT solar inverter
- Power Factor 1
- High PV Input Voltage Range
- Battery equalization function to optimize battery performance and extend lifecycle
- Selectable high power charging current
- Configurable AC/Solar input priority
- Compatible with generator
- Auto restart while AC is recovering
- Cold start function

### Specifications

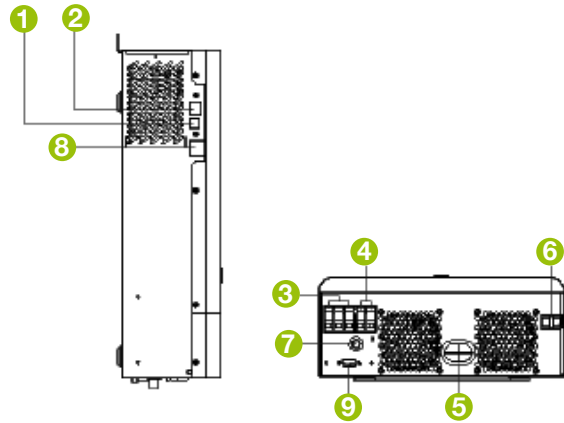
Model	ATA Solar Inverter 1.200	ATA Solar Inverter 3.500	ATA Solar Inverter 5.500
Code	FINVATA1202	FINVATA3502	FINVATA5502
Rated Power	1.200VA / 1.200W	3.500VA / 3.500W	5.500VA / 5.500W
<b>Input</b>			
Voltage	230 VAC		
Selectable Voltage Range	170-280 VAC (For Personal Computers) ; 90-280 VAC (For Home Appliances)		
Frequency Range	50 Hz/60 Hz (Auto sensing)		
<b>Output</b>			
AC Voltage Regulation (Batt. Mode)	230VAC ± 5%		
Surge Power	2.000VA	7.000VA	11.000VA
Efficiency (Peak)	90% ~ 93%	up to 93.5%	
Transfer Time	10 ms (For Personal Computers) ; 20 ms (For Home Appliances)		
Waveform	Pure sinewave		
<b>Battery</b>			
Battery Voltage	12 Vdc	24 Vdc	48 Vdc
Floating Charge Voltage	13.5 Vdc	27 Vdc	54 Vdc
Overcharge Protection	16 Vdc	33 Vdc	63 Vdc
<b>Solar Charger &amp; AC Charger</b>			
Solar Charger Type	MPPT		
Maximum PV Array Open Circuit Voltage	102 Vdc	500 Vdc	
Maximum PV Array Power	700 W	5500 W	
MPPT Range @ Operating Voltage	80~170 Vdc	120~450 Vdc	
Maximum Solar Charge Current	50 A	100 A	
Maximum AC Charge Current	20 A	80 A	
Maximum Charge Current	60 A	100 A	
<b>Physical</b>			
Dimension, D x W x H (mm)	103x225x320	115x300x400	
Net Weight	4.4 Kg	8.5 Kg	9 Kg
Communication Interface	RS232	USB/RS232/Dry Contact	
<b>Environment</b>			
Humidity	5% to 95% Relative Humidity (Non-condensing)		
Operating Temperature	-10°C to 50°C		
Storage Temperature	-15°C to 60°C		

© 2025 Tecnoware Power Systems. The technical data may change without prior notice.





ATA 1.200VA



ATA 3.500VA - ATA 5.500VA

- 1 USB communication port
- 2 RS-232 communication port
- 3 AC input
- 4 AC output
- 5 Battery input
- 6 PV input
- 7 Circuit breaker
- 8 Generator dry contact
- 9 WIFI port

## Hybrid Operation

With mains and photovoltaic power.



With mains power.



With photovoltaic power.



With battery power.

